

General Specification



15A SURFACE MOUNT RECEPTACLE

Item Code: TAN-78



Features

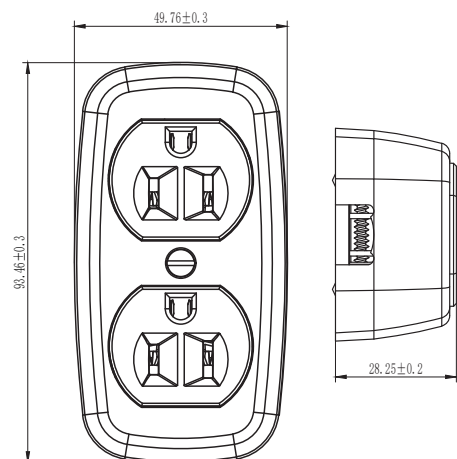
- High impact-resistant thermoplastic construction offers long service life

Installation

- Terminal screws accept up to #12 AWG copper or copper-clad wire
- Tri-drive ground, terminal, and mounting screws offer ease of installation

Specification

Color: Ivory
Amperage: 15 Amp
Voltage: 125 Volts
Mount: Surface Mount
NEMA: 5-15R
Termination: Side
Type: Duplex Receptacle
Warranty: 2-Year Warranty



Testing & Code Compliance

Certification: UL Listed
Compliant with UL 498

