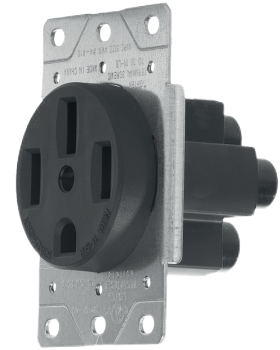


# General Specification



## 50A FLUSH MOUNTING RECEPTACLE 3-POLE, 4-WIRE

Item Code: TAN-379B



### Features

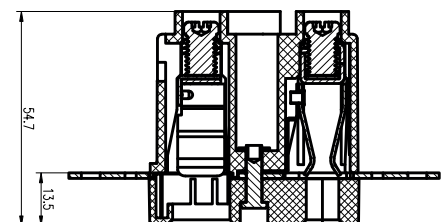
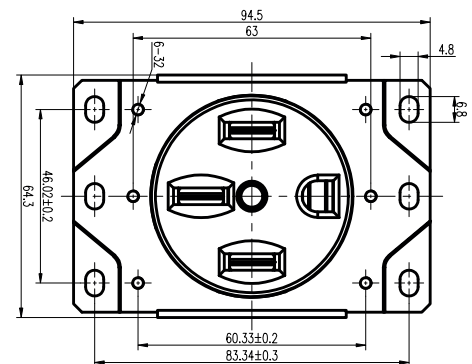
- Fits wall plates with a 2.15" diameter center hole
- Flush mount devices fit single or 2-gang outlet boxes
- Heavy gauge double-wire copper alloy contacts
- Flammability UL94, V2 Rating
- High impact-resistant chemical-resistant nylon
- Reinforced thermoplastic polyester
- Heavy gauge steel mounting strap zinc plated for corrosion resistance

### Installation

- Easy to wire terminals accept #4 - #10 copper or Aluminum wiring
- Large head combination screws for easy wiring
- To ensure correct wiring, terminals have ID markings

### Specification

<b>Amperage:</b> 50 Amp	<b>Pole:</b> 3
<b>Blade Type:</b> Straight Blade	<b>Wire:</b> 4
<b>Color:</b> Black	<b>Voltage:</b> 125/250 Volts
<b>Feature:</b> Commercial Grade	<b>Termination:</b> #4-#10 AWG
<b>Grounding:</b> Grounding	<b>Type:</b> Power Device
<b>NEMA:</b> 14-50R	<b>Warranty:</b> 2-Year Warranty



### Testing & Code Compliance



ISO9001 Registered manufacturing facility